

V-LANE A12D5HP

12/5MP@42/60fps Multifunctional 320Km/h (3 Lanes)

- 3 Lanes coverage
- OCR + COLOR double head camera
- Plate reading up to 250 km/h in free-run
- Integrated IR illuminator with stroboscopic LEDs
- 12 Mpixel OCR camera resolution 5 Mpixel Context Color camera resolution
- OCR library on board with 41 countries in Europe, 13 Asia, 6 Africa, 5 South America and special plates such as Trailers, Kemler ADR, Kemler ADR Empty, Tram
- Daytime classification of vehicles by type in 13 + 1 (Cars, Semitrucks, Trucks, Trucks with trailers, Motor vehicles, Motorcycles, Mopeds, Buses, Coach, Mini vans, Big vans, Flatbed trucks, Caravans, unknown)
- Night classification of vehicles by type in 4 classes +1 (trucks, buses, cars, motorcycles and unknown)
- Daytime classification of vehicles by color in 11 classes + 1 (black, white, grey, red, blue, yellow, green, orange, pink, purple, cyan, unknown)
- Vehicle brand classification (around 100 brands supported)
- Model classification of vehicles in transit - Rear view (about 400 models supported)
- Gate AID algorithms for traffic control (stationary vehicle, wrong-way vehicle, slow traffic, queue)
- Transit speed estimation function
- Black & White lists
- ONVIF Profile S
- Local NVR function for storage continuous recording of camera video streaming and creation of micro movies on vehicle transits
- Cloud ready
- Compatible with the Vigilate v-SUITE general supervision platform
- OCR library validated several times by UNI 10772:2016 Class A



DESCRIPTIONS

Analysis and recognition v-LANE A12D5HP is the intelligent 12Mpixel OCR - 5 Mpixel context double head camera, able to control and manage all the problems of a high-speed road crossing; detects up to 42 images per second at a depth of 12bit, within which it analyzes, identifies and validates the license plates of the vehicles present. also thanks to the powerful double illuminator that works effectively up to 30 meters in all light conditions. This result obtained through the use of sophisticated software makes it possible to read the license plate of vehicles in transit at speeds of up to 320 km/h in free-run mode (without an external trigger device).

Data Data and images can be stored directly locally, sent to the customer's supervision system or sent to the v-SUITE supervision platform. The device has FTP, XML-RPC (on HTTPS) and serial transmission protocols. Software Optical Character Recognition (OCR) library complete with 41 countries in Europe, 13 Asia, 6 Africa, 5 South America and special plates such as Trailers, Kemler ADR, Kemler ADR Empty, Trams (Police, Army, Ambulance, Civil Protection...).

Classification The camera is equipped with a video classification software capable of recognizing vehicle types with 13 + 1 (Cars, Semitrucks, Trucks, Trucks with trailers, Motor vehicles, Motorcycles, Mopeds, Buses, Coach, Mini vans, Big vans, Flatbed trucks, Caravans, unknown); it is also able to identify the dominant color among a range of 11 colors + 1 (black, white, gray, red, blue, yellow, green, orange, pink, purple, cyan, unknown). v-Lane is equipped with gate AID algorithms for traffic control (stationary vehicle, wrong-way vehicle, slow traffic, queue).

Data security The storage and transmission of data generated by the product takes place using highly reliable and secure protocols, guaranteeing the highest level of inviolability and privacy. Vigilate complies with the most restrictive regulations on data security such as ISO27001:2022 and ISDP10003:2018 - Privacy by Default and Privacy by Design.

Application examples Highway control and high-traffic streets Basis for enforcement systems



TECHNICAL FEATURES

Optical group

OCR Sensor	12 MP CMOS IR global shutter sensor
Frame rate OCR	Up to 42 fps
Color Sensor	5 MP (2560 x 1936) CMOS COLOR rolling shutter sensor
Frame rate color	Up to 60 fps
Optics	Standard attacco C 35mmOCR, 12mm CTX

Illuminator

Integrated IR illuminator	n. 2X10 LED IR (CLASS 1M CEI EN 69825-1 ED. 4, 850 nm IR LED)
---------------------------	---

HW features

Processor	Quad-core + HW video encoder unit + Neural coprocessor
Memory	16 GB e-MMC Flash
RAM	8 GB
S.O.	Linux
Storage Disk	HD SSD 256 GB (up to 4 TB)
I/O	N. 2 input opto-isolated N. 1 output relè N. 1 fast output strobo 12-24 VDC N. 1 output open-collector 12-24 VDC
Ports	N.1 USB port N.1 RS-485 port N.1 10/100/1000 Mbps Ethernet port

SW features

Operating mode	Continuously acquisition (free-run) On request (by SW trigger or HW trigger) Both modes can draw on the two local lists that can be configured locally or by remote synchronization with the FTP server
----------------	---

Real-time diagnostics

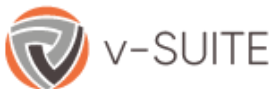
CPU temperature	
Mainboard temperature	
IR illumination module operation	
Lighting module current peaks	
Capture status of physically connected sensors	
Input current level (power port)	
Input voltage level (power port)	
Camera tilt angle	
Internal humidity level	
CPU consumption	
RAM consumption	
Storage disks status	
Utilization of the 4 physical cores (CPU monitoring)	
Check status of operational threads	
Monitoring of analysis times and operating status of active algorithms	
Generation of any alarms (local and possibly remote) in the face of anomalies detected	

Supported sending protocols

TCP (in binary, XML, string formats)	
TCP Milestone	
FTP (imgs + text data in *.txt/*.csv)	
RPC-XML over HTTP / HTTPS (BASIC or EXTENDED message)	
Custom Protocol (message configurable via template and sendable by HTTP POST / HTTPS POST /TCP protocols)	
Serial (on RS 485 port)	
Wiegand (need to install SC20 converter)	
Xentinel message (over HTTP)	
v-SUITE message (over HTTP / HTTPS)	

Supported communication protocols

TCP/IP	
UDP	
HTTP	
HTTPS	
FTP	
FTPS	



Vigilate - PSIM
(Physical Security Information Management)



Si prega di notare che i dati tecnici, le informazioni, e le immagini contenute nel presente documento sono solo di riferimento. Vigilate si riserva il diritto di modificare in qualsiasi momento e senza preavviso i dati, i disegni e le informazioni qui contenute.
Please note that the technical data, information and images contained herein shall be for reference only. Vigilate reserves the right to modify at any time and without notice the data, drawing and the information contained herein.

V-22072025-1608-1-UPD

Vigilate S.r.l.

Via Napoleonica 6 - 25086 Rezzato BS Italy - www.vigilatevision.com
Partita IVA: IT01598660056 - Tel: +390308081000 - Pec: vigilatest@pec.it



MADE IN ITALY

RTP/RTSP
openVPN
ONVIF (S- profile)
NTP
SNMP

Data protection

Possibility to activate the management of the web configurator by HTTPS connection
FTPS encryption on TLS/SSL protocol
AES-256-ECB encryption for data and images saved locally and/or sent via the supported protocols
Image hash using SHA-512 algorithm and possible encryption of the signature itself using AES-256-ECB
Totally GDPR compliant storage management with periodic deletion of the history
Cockpit masking function (in case of front detection of vehicles) in order to ensure respect for privacy
Possibility to connect the camera inside an openVPN with certificate installed directly on board
Advanced management of the firewall on the machine with the possibility of disabling access to the local servers present on the machine (FTP server, ONVIF server, SNMP server, service ports)

Power Supply

Supported power supply 24VDC (5 A)
Consumption 12W typically

General characteristics

Dimensions 350 x 270 x 165 mm
Weight 6 Kg
Operating temperature -30°; +55°
Humidity Up to 90%
Protection IP67 Aluminum Case - IK10 Option Available

Certifications

OCR library: Certified high reliability, the library has been validated several times by UNI 10772:2016 class A for all vehicle classes

Classification algorithms: The percentages of correct classification depend on compliance with the installation geometry but are above 90% regardless of the external environmental conditions

AID algorithm: The instantaneous speed estimation by video analysis and consequently the AID algorithm with the various supported features are highly reliable as demonstrated by numerous field tests in the presence of approved systems for speed estimation for sanctioning purposes.

Regulations

Regulations complied with EN 55032:2015, EN 55035:2017, EN 50561-1:2013
EN 62368-1 (EN 62368-1:2014+A11:2017)
EN 60068-2-14:Nb 2011-11
EN 60068-2-78:2013-11
EN 62471:2010
EN60529:1991+A1:2000+A2:2013
UE Regulation 2016/679 (GDPR)

OPTIONALS

- Storage disk capacity extension up to 4TB
- Fixed optics
- GPS module
- Wifi module
- Model Classification License
- Version with Global shutter in context



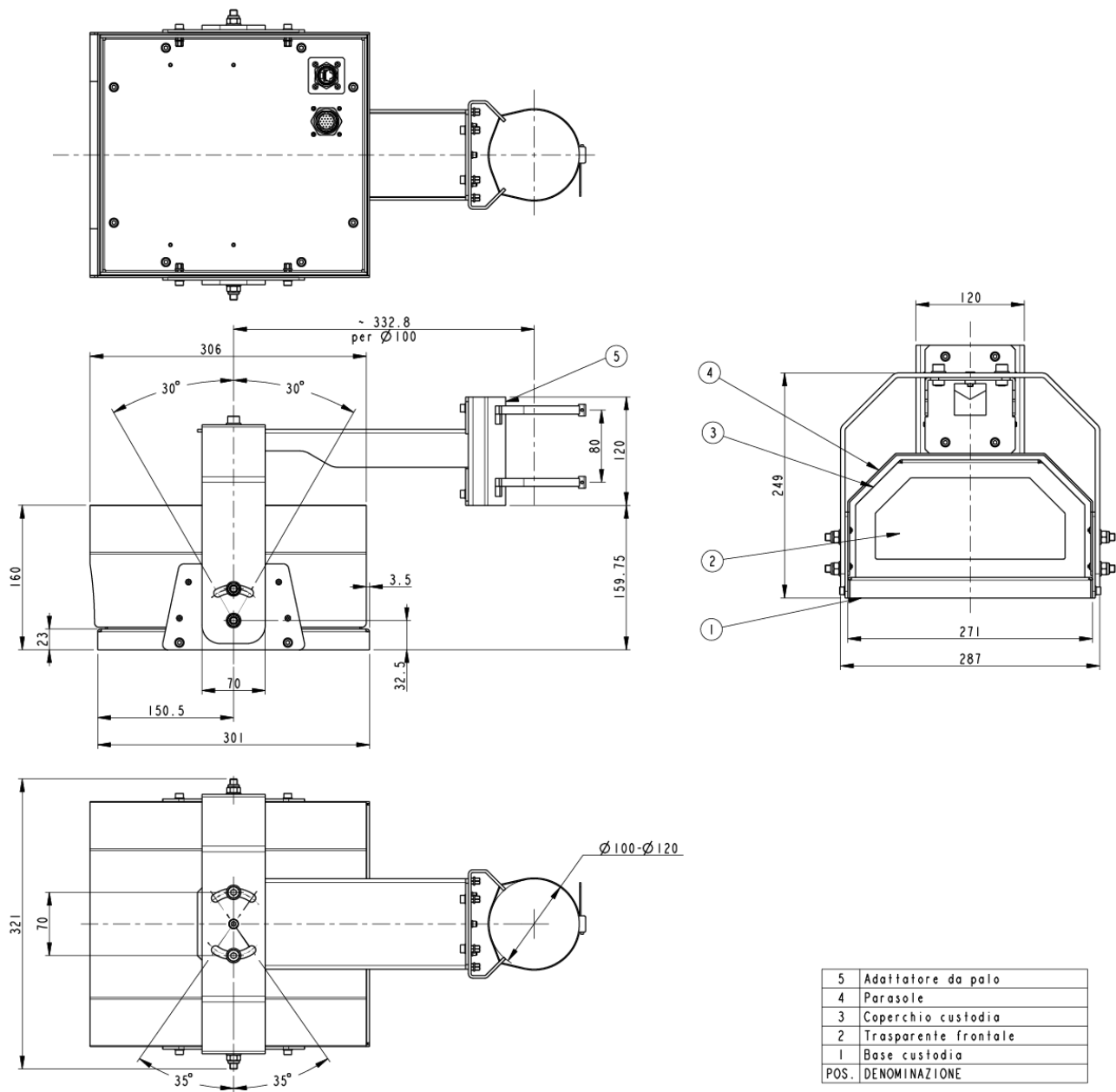
OPTIONALS

Si prega di notare che i dati tecnici, le informazioni, e le immagini contenute nel presente documento sono solo di riferimento. Vigilante si riserva il diritto di modificare in qualsiasi momento e senza preavviso i dati, i disegni e le informazioni qui contenute.
Please note that the technical data, information and images contained herein shall be for reference only. Vigilante reserves the right to modify at any time and without notice the data, drawing and the information contained herein.

V-22072025-1608-3-UPD

Vigilate S.r.l.

Via Napoleonica 6 - 25086 Rezzato BS Italy - www.vigilatevision.com
Partita IVA: IT01598660056 - Tel: +390308081000 - Pec: vigilatesrl@pec.it



5	Adattatore da palo
4	Parasole
3	Coperchio custodia
2	Trasparente frontale
1	Base custodia
POS.	DENOMINAZIONE

Si prega di notare che i dati tecnici, le informazioni, e le immagini contenute nel presente documento sono solo di riferimento. Vigilate si riserva il diritto di modificare in qualsiasi momento e senza preavviso i dati, i disegni e le informazioni qui contenute.
 Please note that the technical data, information and images contained herein shall be for reference only. Vigilate reserves the right to modify at any time and without notice the data, drawing and the information contained herein.

V-22072025-1608-4-UPD