

## V-LANE A12D8HP

### 12/8MP@42/60fps Multifunctional 320Km/h (3 Lanes)

- 3 Lanes coverage
- OCR + COLOR double head camera
- Plate reading up to 320 km/h in free-run
- Integrated IR illuminator with stroboscopic LEDs
- 12 Mpixel OCR camera resolution 8 Mpixel Context Color camera resolution
- OCR library on board with 41 countries in Europe, 13 Asia, 6 Africa, 5 South America and special plates such as Trailers, Kemler ADR, Kemler ADR Empty, Tram
- Daytime classification of vehicles by type in 13 + 1 (Cars, Semitrucks, Trucks, Trucks with trailers, Motor vehicles, Motorcycles, Mopeds, Buses, Coach, Mini vans, Big vans, Flatbed trucks, Caravans, unknown)
- Night classification of vehicles by type in 4 classes +1 (trucks, buses, cars, motorcycles and unknown)
- Daytime classification of vehicles by color in 11 classes + 1 (black, white, grey, red, blue, yellow, green, orange, pink, purple, cyan, unknown)
- Vehicle brand classification (around 100 brands supported)
- Model classification of vehicles in transit - Rear view (about 400 models supported)
- Gate AID algorithms for traffic control (stationary vehicle, wrong-way vehicle, slow traffic, queue)
- Transit speed estimation function
- Black & White lists
- ONVIF Profile S
- Local NVR function for storage continuous recording of camera video streaming and creation of micro movies on vehicle transits
- Cloud ready
- Compatible with the Vigilate v-SUITE general supervision platform
- OCR library validated several times by UNI 10772:2016 Class A



## DESCRIPTIONS

**Analysis and recognition** v-LANE A12D8HP is the intelligent 12Mpixel OCR - 8 Mpixel context double head camera, able to control and manage all the problems of a high-speed road crossing; detects up to 42 images per second at a depth of 12bit, within which it analyzes, identifies and validates the license plates of the vehicles present. also thanks to the powerful double illuminator that works effectively up to 30 meters in all light conditions. This result obtained through the use of sophisticated software makes it possible to read the license plate of vehicles in transit at speeds of up to 320 km/h in free-run mode (without an external trigger device).

**Data** Data and images can be stored directly locally, sent to the customer's supervision system or sent to the v-SUITE supervision platform. The device has FTP, XML-RPC (on HTTPS) and serial transmission protocols. Software Optical Character Recognition (OCR) library complete with 41 countries in Europe, 13 Asia, 6 Africa, 5 South America and special plates such as Trailers, Kemler ADR, Kemler ADR Empty, Trams (Police, Army, Ambulance, Civil Protection... ).

**Classification** The camera is equipped with a video classification software capable of recognizing vehicle types with 13 + 1 (Cars, Semitrucks, Trucks, Trucks with trailers, Motor vehicles, Motorcycles, Mopeds, Buses, Coach, Mini vans, Big vans, Flatbed trucks, Caravans, unknown); it is also able to identify the dominant color among a range of 11 colors + 1 (black, white, gray, red, blue, yellow, green, orange, pink, purple, cyan, unknown). v-Lane is equipped with gate AID algorithms for traffic control (stationary vehicle, wrong-way vehicle, slow traffic, queue).

**Data security** The storage and transmission of data generated by the product takes place using highly reliable and secure protocols, guaranteeing the highest level of inviolability and privacy. Vigilate complies with the most restrictive regulations on data security such as ISO27001:2022 and ISDP10003:2018 - Privacy by Default and Privacy by Design.

**Application examples** Highway control and high-traffic streets Basis for enforcement systems



## TECHNICAL FEATURES

### Optical group

|                  |  |
|------------------|--|
| OCR Sensor       | 12 MP CMOS IR global shutter sensor    |
| Frame rate OCR   | Up to 42 fps                           |
| Color Sensor     | 8 MP CMOS COLOR rolling shutter sensor |
| Frame rate color | Up to 60 fps                           |
| Optics           | Standard attacco C 35mmOCR, 12mm CTX   |

### Illuminator

|                           |   |
|---------------------------|---|
| Integrated IR illuminator | n. 2X10 LED IR (CLASS 1M CEI EN 69825-1 ED. 4, 850 nm IR LED) |
|---------------------------|---|

### HW features

|              |   |
|--------------|---|
| Processor    | Quad-core + HW video encoder unit + Neural coprocessor  |
| Memory       | 16 GB e-MMC Flash   |
| RAM          | 8 GB  |
| S.O.         | Linux   |
| Storage Disk | HD SSD 256 GB (up to 4 TB)  |
| I/O          | N. 2 input opto-isolated<br>N. 1 output relè<br>N. 1 fast output strobo 12-24 VDC<br>N. 1 output open-collector 12-24 VDC |
| Ports        | N.1 USB port<br>N.1 RS-485 port<br>N.1 10/100/1000 Mbps Ethernet port   |

### SW features

|                       |  |
|-----------------------|--|
| Operating mode        | Continuously acquisition (free-run)<br>On request (by SW trigger or HW trigger)<br>Both modes can draw on the two local lists that can be configured locally or by remote synchronization with the FTP server  |
| Real-time diagnostics | CPU temperature<br>Mainboard temperature<br>IR illumination module operation<br>Lighting module current peaks<br>Capture status of physically connected sensors<br>Input current level (power port)<br>Input voltage level (power port)<br>Camera tilt angle<br>Internal humidity level<br>CPU consumption<br>RAM consumption<br>Storage disks status<br>Utilization of the 4 physical cores (CPU monitoring)<br>Check status of operational threads<br>Monitoring of analysis times and operating status of active algorithms<br>Generation of any alarms (local and possibly remote) in the face of anomalies detected |

### Supported sending protocols

|   |
|---|
| TCP (in binary, XML, string formats)  |
| TCP Milestone   |
| FTP (imgs + text data in *.txt/*.csv)   |
| RPC-XML over HTTP / HTTPS (BASIC or EXTENDED message)   |
| Custom Protocol (message configurable via template and sendable by HTTP POST / HTTPS POST /TCP protocols) |
| Serial (on RS 485 port)   |
| Wiegand (need to install SC20 converter)  |
| Xentinel message (over HTTP)  |
| v-SUITE message (over HTTP / HTTPS)   |

### Supported communication protocols

|                    |
|--------------------|
| TCP/IP             |
| UDP                |
| HTTP               |
| HTTPS              |
| FTP                |
| FTPS               |
| RTP/RTSP           |
| openVPN            |
| ONVIF (S- profile) |
| NTP                |
| SNMP               |

### Data protection

|  |
|--|
| Possibility to activate the management of the web configurator by HTTPS connection                       |
| FTPS encryption on TLS/SSL protocol  |
| AES-256-ECB encryption for data and images saved locally and/or sent via the supported protocols         |
| Image hash using SHA-512 algorithm and possible encryption of the signature itself using AES-256-ECB     |
| Totally GDPR compliant storage management with periodic deletion of the history                          |
| Cockpit masking function (in case of front detection of vehicles) in order to ensure respect for privacy |

Si prega di notare che i dati tecnici, le informazioni, e le immagini contenute nel presente documento sono solo di riferimento. Vigilate si riserva il diritto di modificare in qualsiasi momento e senza preavviso i dati, i disegni e le informazioni qui contenute.  
Please note that the technical data, information and images contained herein shall be for reference only. Vigilate reserves the right to modify at any time and without notice the data, drawing and the information contained herein.

V-22072025-1608-1-UPD



Vigilate - PSIM  
(Physical Security Information Management)





MADE IN ITALY

Possibility to connect the camera inside an openVPN with certificate installed directly on board  
Advanced management of the firewall on the machine with the possibility of disabling access to the local servers present on the machine (FTP server, ONVIF server, SNMP server, service ports)

### Power Supply

|                        |               |
|------------------------|---------------|
| Supported power supply | 24VDC (5 A)   |
| Consumption            | 12W typically |

### General characteristics

|                       |  |
|-----------------------|--|
| Dimensions            | 350 x 270 x 165 mm                         |
| Weight                | 6 Kg                                       |
| Operating temperature | -30°; +55°                                 |
| Humidity              | Up to 90%                                  |
| Protection            | IP67 Aluminum Case - IK10 Option Available |

### Certifications

|                            |  |
|----------------------------|--|
| OCR library:               | Certified high reliability, the library has been validated several times by UNI 10772:2016 class A for all vehicle classes   |
| Classification algorithms: | The percentages of correct classification depend on compliance with the installation geometry but are above 90% regardless of the external environmental conditions  |
| AID algorithm:             | The instantaneous speed estimation by video analysis and consequently the AID algorithm with the various supported features are highly reliable as demonstrated by numerous field tests in the presence of approved systems for speed estimation for sanctioning purposes. |

### Regulations

|                           |   |
|---------------------------|---|
| Regulations complied with | EN 55032:2015, EN 55035:2017, EN 50561-1:2013<br>EN 62368-1 (EN 62368-1:2014+A11:2017)<br>EN 60068-2-14:Nb 2011-11<br>EN 60068-2-78:2013-11<br>EN 62471:2010<br>EN60529:1991+A1:2000+A2:2013<br>UE Regulation 2016/679 (GDPR) |
|---------------------------|---|

### OPTIONALS

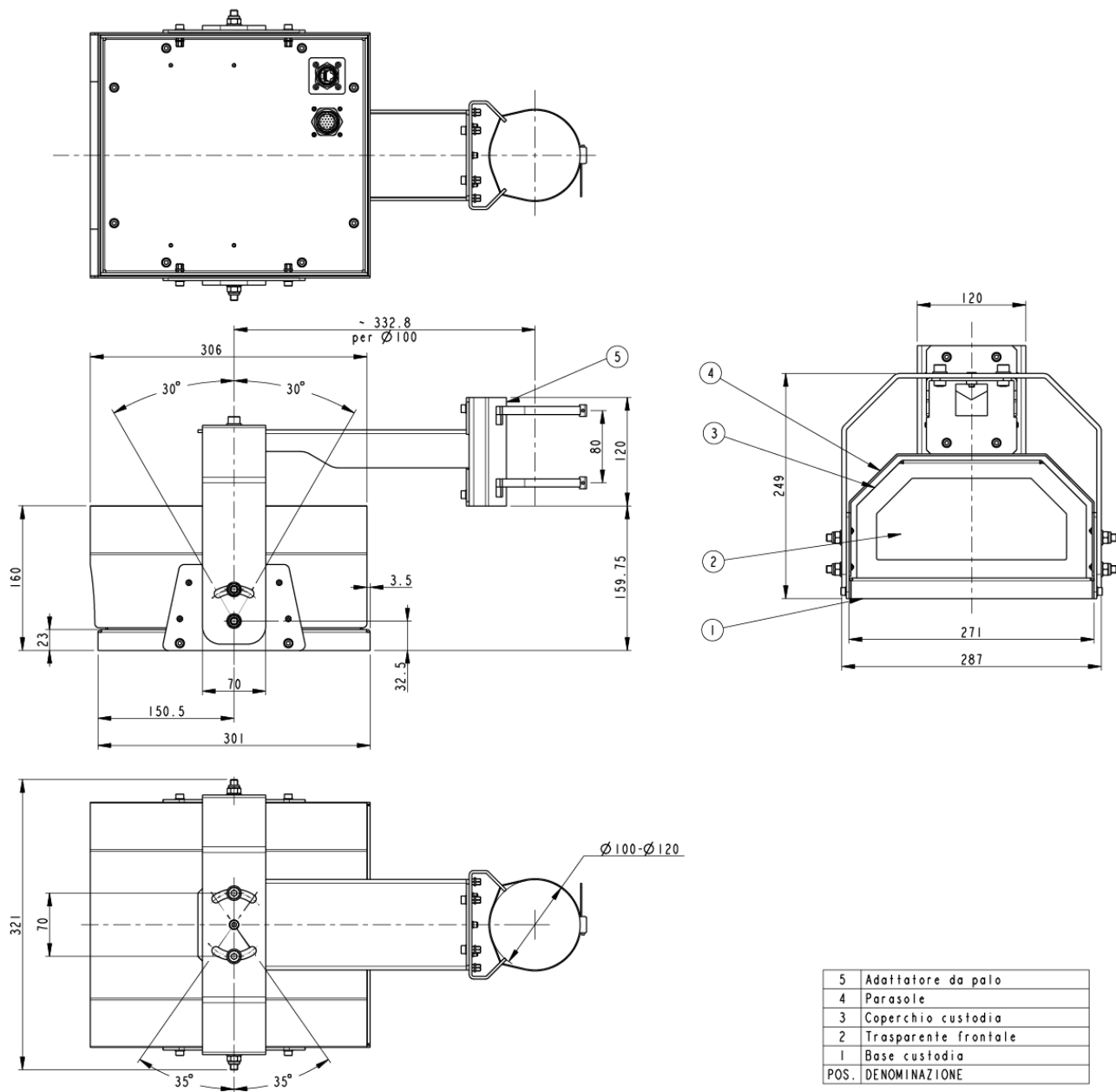
- Storage disk capacity extension up to 4TB
- Fixed optics
- GPS module
- Wifi module
- Model Classification License
- Version with Global shutter in context

**OPTIONALS**

|        |   |   |
|--------|---|---|
| OTRA09 | HD SSD M2 500GB per v-LANE serie AxB - AxDx - AxDxHP                        |    |
| OTRA20 | Docker kit per v-LANE serie AxB - AxDx - AxDxHP                             |    |
| OTRA07 | Staffa da muro per v-LANE serie AxDxHP                                      |    |
| OTRA12 | Modulo wiegand per v-LANE serie AxB e AxDx eccetto A0B                      |    |
| OTRA11 | Antenna GPS esterna per v-LANE serie AxB - AxDx - AxDxHP                    |    |
| OTRA10 | HD SSD M2 1TB per v-LANE serie AxB - AxDx - AxDxHP                          |    |
| OTRA08 | Staffa da palo per v-LANE serie AxDx HP                                     |  |
| OTRA03 | Radar doppler 60GHz per v-LANE serie AxDx HP                                |  |
| OTRA23 | Kit semaforo rosso per v-LANE serie AxDx - AxDxHP                           |  |
| OTRA22 | Canone annuale manutenzione per licenza riconoscimento modello veicolo      |  |
| OTRA21 | Licenza riconoscimento modello veicolo per v-LANE serie AxB - AxDx - AxDxHP |  |

Si prega di notare che i dati tecnici, le informazioni, e le immagini contenute nel presente documento sono solo di riferimento. Vigilate si riserva il diritto di modificare in qualsiasi momento e senza preavviso i dati, i disegni e le informazioni qui contenute.  
Please note that the technical data, information and images contained herein shall be for reference only. Vigilate reserves the right to modify at any time and without notice the data, drawing and the information contained herein.

V-22072025-1608-3-UPD



Si prega di notare che i dati tecnici, le informazioni, e le immagini contenute nel presente documento sono solo di riferimento. Vigilate si riserva il diritto di modificare in qualsiasi momento e senza preavviso i dati, i disegni e le informazioni qui contenute.  
 Please note that the technical data, information and images contained herein shall be for reference only. Vigilate reserves the right to modify at any time and without notice the data, drawing and the information contained herein.