

V-LANE A1B

2MP@60fps 250 Km/h (1 Lane)

- 1 Lanes coverage
- Infrared + color (bispectral) single head camera
- Plate reading up to 160 km/h in free-run
- Integrated IR illuminator with stroboscopic LEDs
- 2 Mpixel resolution (context + OCR)
- OCR library on board with 41 countries in Europe, 13 Asia, 6 Africa, 5 South America and special plates such as Trailers, Kemler ADR, Kemler ADR Empty, Tram
- Transit speed estimation function
- Black & White lists
- ONVIF Profile S
- Local NVR function for storage continuous recording of camera video streaming and creation of micro movies on vehicle transits
- Cloud ready
- Compatible with the Vigilate v-SUITE general supervision platform



DESCRIPTIONS

Analysis and recognition v-LANE A1B is the 2Mpixels intelligent camera able to control and manage all the problems of a road gate both for safety aspects and for aspects relating to traffic control. V-LANE A1B detects 60 images per second within which it analyzes, identifies and validates the license plates of the vehicles present. This result, obtained through the use of sophisticated software, makes it possible to read the license plate of vehicles in transit at speeds of up to 160 km/h in free-run mode (without an external trigger device).

Data Data and images can be stored directly locally, sent to the customer's supervision system or sent to the v-SUITE supervision platform. The device has FTP, XML-RPC (on HTTPS) and serial transmission protocols. Software Optical Character Recognition (OCR) library complete with 41 countries in Europe, 13 Asia, 6 Africa, 5 South America and special plates such as Trailers, Kemler ADR, Kemler ADR Empty, Trams (Police, Army, Ambulance, Civil Protection...).

Data security The storage and transmission of data generated by the product takes place using highly reliable and secure protocols, guaranteeing the highest level of inviolability and privacy. Vigilate complies with the most restrictive regulations on data security such as ISO27001:2022 and ISDP10003:2018 - Privacy by Default and Privacy by Design.

Application examples Access control for public and private car parks Territorial and traffic control Access control for residential areas Tolling systems



TECHNICAL FEATURES

Optical group

Sensor (OCR + COLOR)	2 MP (1920 x 1080) CMOS COLOR + IR (bispectral) global shutter sensor
Frame rate	Up to 60 fps
Optics	Standard varifocal lens, 12-50 mm

Illuminator

Integrated IR illuminator	n. 8 LED IR (CLASS 1M CEI EN 69825-1 ED. 4, 850 nm IR LED)
---------------------------	--

HW features

Processor	Quad-core + HW video encoder unit + Neural coprocessor
Memory	16 GB e-MMC Flash
RAM	1 GB
S.O.	Linux
Storage Disk	HD SSD 128 GB (up to 2 TB)
I/O	N. 3 input opto-isolated N. 2 output relè
Ports	N.1 USB port N.1 RS-485 port N.1 10/100 Mbps Ethernet port

SW features

Operating mode	Continuously acquisition (free-run) On request (by SW trigger or HW trigger) Both modes can draw on the two local lists that can be configured locally or by remote synchronization with the FTP server
Real-time diagnostics	CPU temperature Mainboard temperature IR illumination module operation Lighting module current peaks Capture status of physically connected sensors Input current level (power port) Input voltage level (power port) Camera tilt angle Internal humidity level CPU consumption RAM consumption Storage disks status Utilization of the 4 physical cores (CPU monitoring) Check status of operational threads Monitoring of analysis times and operating status of active algorithms Generation of any alarms (local and possibly remote) in the face of anomalies detected

Supported sending protocols

TCP (in binary, XML, string formats)
TCP Milestone
FTP (imgs + text data in *.txt/*.csv)
RPC-XML over HTTP / HTTPS (BASIC or EXTENDED message)
Custom Protocol (message configurable via template and sendable by HTTP POST / HTTPS POST / TCP protocols)
Serial (on RS 485 port)
Wiegand (need to install SC20 converter)
Xentinel message (over HTTP)
v-SUITE message (over HTTP / HTTPS)

Supported communication protocols

TCP/IP
UDP
HTTP
HTTPS
FTP
FTPS
RTP/RTSP
openVPN
ONVIF (S- profile)
NTP
SNMP

Data protection

Possibility to activate the management of the web configurator by HTTPS connection
FTPS encryption on TLS/SSL protocol
AES-256-ECB encryption for data and images saved locally and/or sent via the supported protocols
Image hash using SHA-512 algorithm and possible encryption of the signature itself using AES-256-ECB
Totally GDPR compliant storage management with periodic deletion of the history
Cockpit masking function (in case of front detection of vehicles) in order to ensure respect for privacy
Possibility to connect the camera inside an openVPN with certificate installed directly on board
Advanced management of the firewall on the machine with the possibility of disabling access to the local servers present on the machine (FTP server, ONVIF server, SNMP server, service ports)

Power Supply

Si prega di notare che i dati tecnici, le informazioni, e le immagini contenute nel presente documento sono solo di riferimento. Vigilate si riserva il diritto di modificare in qualsiasi momento e senza preavviso i dati, i disegni e le informazioni qui contenute.
Please note that the technical data, information and images contained herein shall be for reference only. Vigilate reserves the right to modify at any time and without notice the data, drawing and the information contained herein.

V-15072025-1505-1-UPD





Supported power supply	24VDC (1,25 A) or +12VDC (2,5 A) or UPoE 60W
Consumption	8W typically
General characteristics	
Dimensions	450 x 140 x 150 mm
Weight	2,6 Kg
Operating temperature	- 30°; +60°
Humidity	Up to 90%
Protection	IP67 - class IK10 (on request)

Certifications	
OCR library:	Certified high reliability, the library has been validated several times by UNI 10772:2016 class A for all vehicle classes
Classification algorithms:	The percentages of correct classification depend on compliance with the installation geometry but are above 90% regardless of the external environmental conditions
AID algorithm:	The instantaneous speed estimation by video analysis and consequently the AID algorithm with the various supported features are highly reliable as demonstrated by numerous field tests in the presence of approved systems for speed estimation for sanctioning purposes.

Regulations	
Regulations complied with	EN 55032:2015, EN 55035:2017, EN 50561-1:2013 EN 62368-1 (EN 62368-1:2014+A11:2017) EN 60068-2-14:Nb 2011-11 EN 60068-2-78:2013-11 EN 62471:2010 EN60529:1991+A1:2000+A2:2013 UE Regulation 2016/679 (GDPR)

OPTIONALS

- Storage disk capacity extension up to 4TB
- Fixed optics
- GPS module
- Wifi module
- Model Classification License



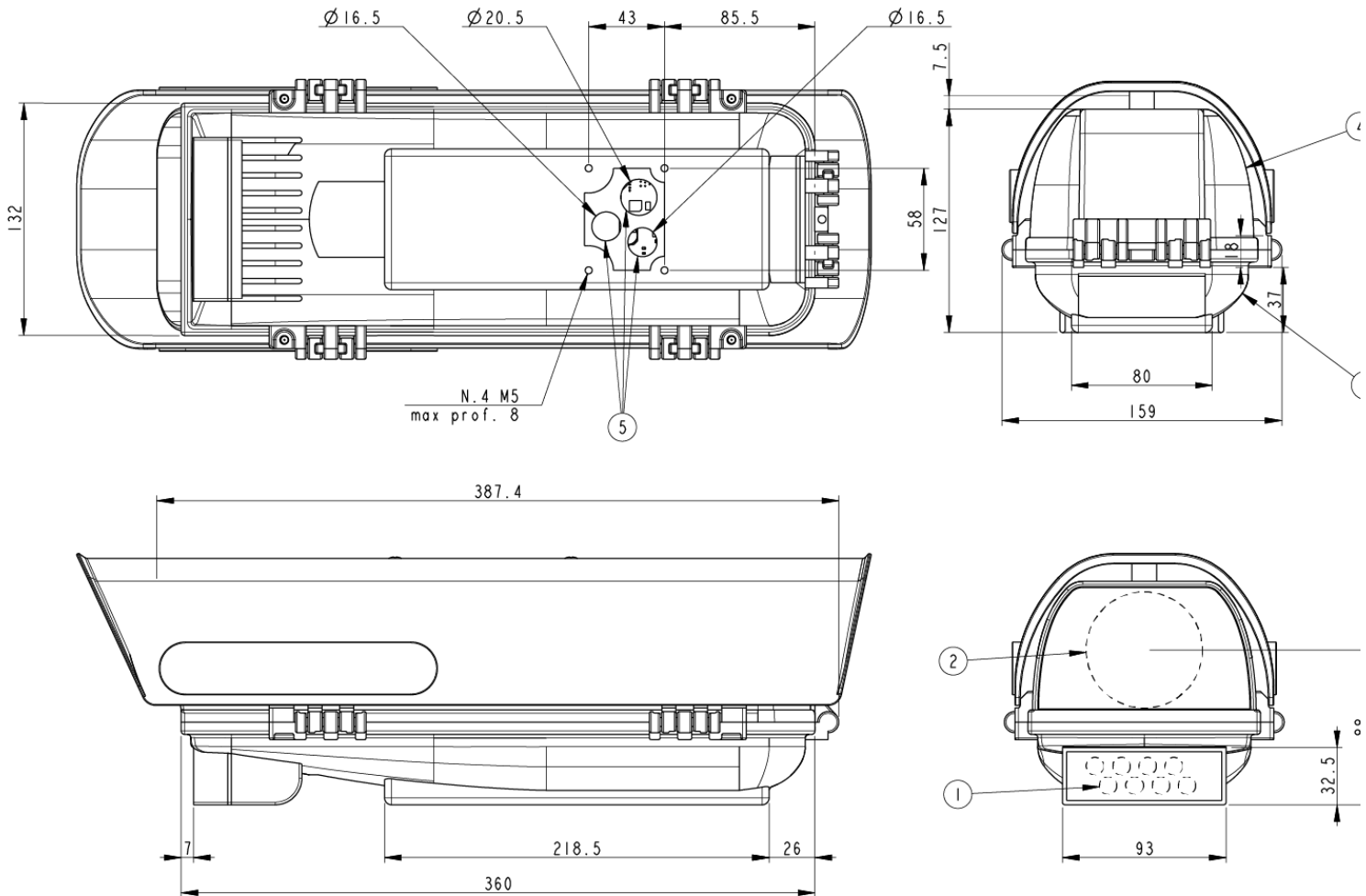
MADE IN ITALY

OPTIONALS

OTRA12

Modulo wiegand per v-LANE serie AxB e AxDx eccetto A0B





5	Fori passaggio cavi
4	Chiusura custodia verniciata
3	Base custodia verniciata
2	Obiettivo
1	Lenti illuminatore
POS.	DENOMINAZIONE

Si prega di notare che i dati tecnici, le informazioni, e le immagini contenute nel presente documento sono solo di riferimento. Vigilate si riserva il diritto di modificare in qualsiasi momento e senza preavviso i dati, i disegni e le informazioni qui contenute.
Please note that the technical data, information and images contained herein shall be for reference only. Vigilate reserves the right to modify at any time and without notice the data, drawing and the information contained herein.

V-15072025-1505-4-UPD